



INSTRUCTION: FIA CABINET

This Rala document contains an installation guide concerning fibre access cabinets. (Fia Cabinets)

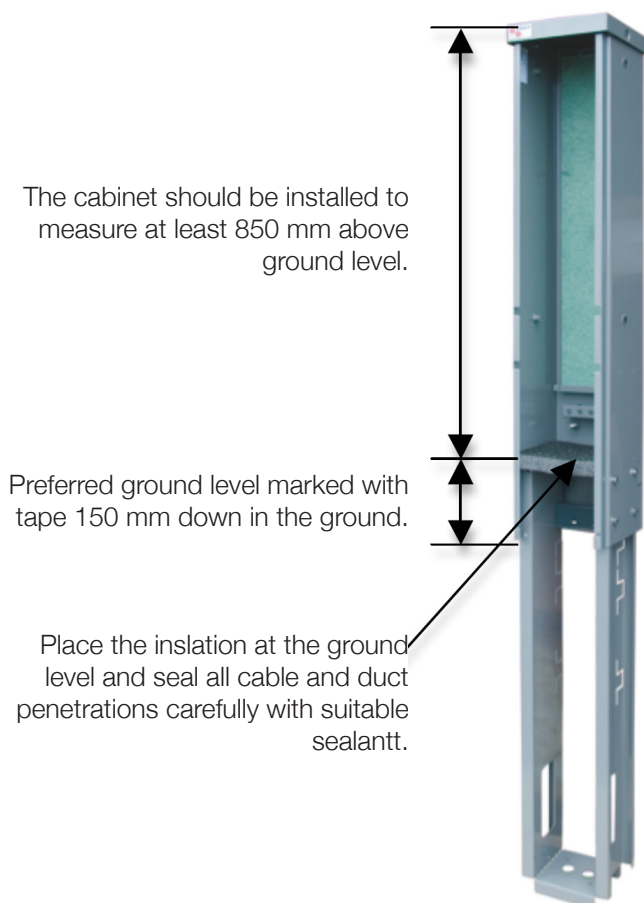
Reference number: 460724-029



Installation guide: Fibre Access Cabinet

Material:

Cabinet FIA 22 , Height 1000 mm (above ground 850 mm),	Width 198 mm,	Depth 198 mm
Cabinet FIA 23 , Height 1000 mm (above ground 850 mm),	Width 330 mm,	Depth 198 mm
Cabinet FIA 26 , Height 1000 mm (above ground 850 mm),	Width 594 mm,	Depth 198 mm
Cabinet FIA 36 , Height 1000 mm (above ground 850 mm),	Width 594 mm,	Depth 300 mm



The cabinet should be installed to measure at least 850 mm above ground level.

Preferred ground level marked with tape 150 mm down in the ground.

Place the insulation at the ground level and seal all cable and duct penetrations carefully with suitable sealant.

Install the cabinet lower frame before closing the excavation hole.

Attach the cabinet upper shell and mount the lock.

Loosen the nuts (2pcs/side) and replace them when the lower frame is pulled to the right level. The base is pulled out to its full length so that the top holes are used.

If the frame can not be pulled out to its full length it should be cut at the top of the ground insulation to seal properly.

If the cabinet is placed in unstable ground an anchor plate must be used.

